



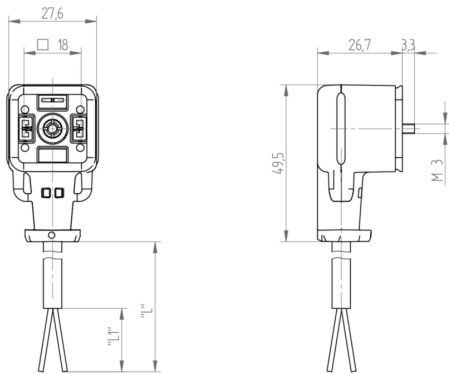
**Product:** [GAN20LU-A0U-606](#)

GAN DIN Standard Single-Ended Cordset: Form A, 2-pin, grey translucent body, without circuitry, 230 V AC/DC, 10 A; PUR grey cable, 0.75 mm<sup>2</sup>

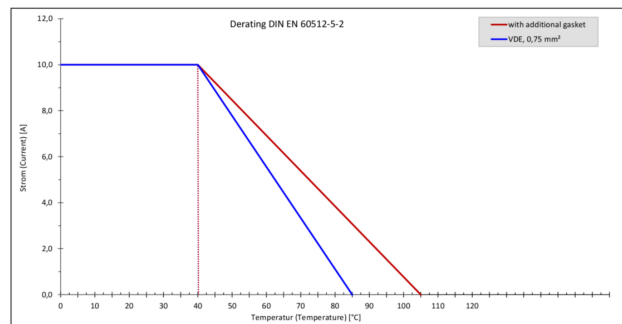
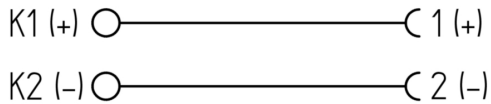
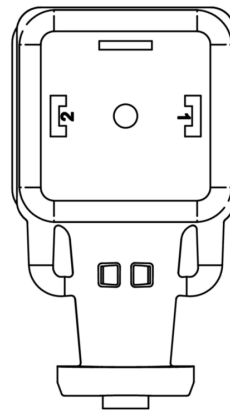
**Product Description**

GAN DIN Standard Single-Ended Cordset: Form A, 2-pin, grey translucent body, without circuitry, 230 V AC/DC, 10 A; PUR grey cable, 0.75 mm<sup>2</sup>

**Technical Drawing**



GAN20



**Technical Specifications**

**Face View**

Pin 1	Pin 2
brown	blue

**Technical Data**

Product Family:	Valve Connectors
Product Sub Family:	GAN

Brand:	Hirschmann
Connector Type:	Cordset, single ended
Type of Contact / Gender:	Female
Connector Design:	Angled
Number of Pins:	2
Coding:	A
Shielding:	Unshielded
Attachment Type:	Central Screw
Rated Impulse Voltage:	4.0 kV
Operating Voltage:	50 V AC/DC
Rated Current*:	10 A
Contact Resistance:	≤ 10 mOhm
Insulation Resistance:	> 10 <sup>9</sup> Ohm
Mating Cycles:	≤ 50
Ambient Temperature (Operation)*:	-25 °C - +85 °C (With additional 934-887-001 gasket : -40 °C - +105 °C)
Protection Degree / IP Rating**:	IP65, IP67 (IP69K: without additional gasket; max. +80 °C)
Design Standard:	DIN EN 175301-803-A, ISO 4400
Pollution Degree:	3 acc. to DIN EN 60664-1 (VDE 0110-1)
Clearance / Creepage Distance:	DIN EN 60664-1 (2008/01); VDE 0110-1
Overvoltage Category:	III acc. to DIN EN 60664-1 (VDE 0110-1)

## Materials

Contact Base Material:	CuZn
Contact Plating:	Cu/Sn
Contact Bearer Material:	PA GF
Contact Bearer Color:	black
Flammability Class (Contact Bearer):	UL 94 V-0
Molded Body Material:	TPE
Molded Body Color:	Grey translucent
Flammability Class (Molded Body):	UL 94 HB
Attachment Material:	Steel, Philips combi slot
Gasket Material:	Molded Integrated Gasket

## Additional Technical Data

Fastening Torque (Attachment):	(50-60) Ncm
--------------------------------	-------------

## Cable Data

Cable Number:	606
Conductor Size:	0.75 mm <sup>2</sup>
Number of Wires:	2
Minimal Bending Radius (Fixed Inst):	> 4 x D
Minimal Bending Radius (Flexible Inst):	> 7.5 x D
Conductor material:	Cu
Cable Jacket Material:	PUR
Cable Jacket Color:	grey
Cable Diameter D:	ø 5.5 ± 0.20 mm
Wire Insulation Material:	PP
Ambient Temperature (Fixed Installation):	- 40 °C - + 90 °C (UL: + 80 °C)
Ambient Temperature (Flex Installation):	- 20 °C - + 90 °C (UL: + 80 °C)
UL Cable Type:	AWM: 21198
Flammability Class (Cable Jacket):	IEC 60332-1, DIN VDE 0472 Teil 804 test method B; UL/CSA FT2
Cable Characteristics:	resistant against solvents, acids and alkalis, resistant against UV and ozone

## Approvals

VDE:	yes
------	-----

## Safety & Environmental Compliance

RoHS Compliant:	yes
-----------------	-----

### Resistances

Halogenfree:	yes
Oil Resistance:	VDE 0250 and 0472

### Notes

Note Derating:	Notice derating
Protection Degree / IP Rating Note:	** only if mounted and locked in combination with Hirschmann / Lumberg Automation connector.
Note:	Do not connect or disconnect under load.

### Variants

Item #	Item Description	Cable Length	Replacement For
934889087	GAN20LU-A0U-6060200-1UC	2 m	ID: 934562015 Name: GAN-DAGE7A-FR0200C1-XC607-AD
934889088	GAN20LU-A0U-6060500-1UC	5 m	ID: 934562016 Name: GAN-DAGE7A-FR0500C1-XC607-AC

© 2024 Belden, Inc

All Rights Reserved.

Although Belden makes every reasonable effort to ensure their accuracy at the time of this publication, information and specifications described here in are subject to error or omission and to change without notice, and the listing of such information and specifications does not ensure product availability.

Belden provides the information and specifications herein on an "ASIS" basis, with no representations or warranties, whether express, statutory or implied. In no event will Belden be liable for any damages (including consequential, indirect, incidental, special, punitive, or exemplary damages) whatsoever, even if Belden has been advised of the possibility of such damages, whether in an action under contract, negligence or any other theory, arising out of or in connection with the use, or inability to use, the information or specifications described herein.

All sales of Belden products are subject to Belden's standard terms and conditions of sale.

Belden believes this product to be in compliance with all applicable environmental programs as listed in the data sheet. The information provided is correct to the best of Belden's knowledge, information and belief at the date of its publication. This information is designed only as a general guide for the safe handling, storage, and any other operation of the product itself or the one that it becomes a part of. The Product Disclosure is not to be considered a warranty or quality specification. Regulatory information is for guidance purposes only. Product users are responsible for determining the applicability of legislation and regulations based on their individual usage of the product.