

16

1633 04

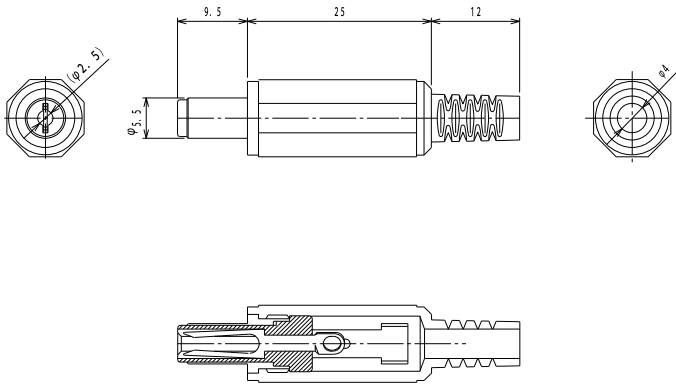
Power supply connectors



Power supply plug, straight version, with fork-shaped contact, solder eyes and bend protection

16

1633 04



Environmental conditions

Temperature range -20 °C/+70 °C

Materials

Insulating body POM
Contact Cu alloy/Fe, nickel-plated
Housing PE

Mechanical data

Outer diameter 5.5 mm
Inner diameter 2.5 mm

Connectable conductors for solder area

Cable diameter 4 mm

Electrical data (at T_{amb} 20 °C)

Contact resistance ≤ 30 m Ω
Rated current 2 A
Rated voltage 24 V DC
Rated impulse voltage 500 V/60 s
Insulation resistance ≥ 100 M Ω

Associated products

Counterparts
 ↗ 1610 05 ↗ 1610 07 ↗ 1613 21
 ↗ 1613 33 ↗ 1614 10 ↗ 1614 15
 ↗ 1614 20 ↗ 1614 24 ↗ NEB/J 25
 ↗ NEB/J 25 C ↗ NEK/J 250

16

1633 04

Designation	Pole Number	PU (Pieces)	MDQ (Pieces)
1633 04	2	100	500