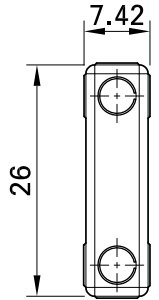
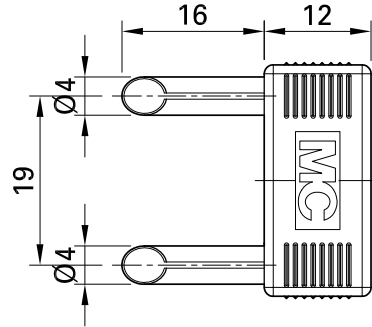


# KS4-19



Item number 24.0002-\*

Insulated Ø 4 mm. Hollow plug, made from a single piece of hard-drawn copper alloy.

Technical data	
Diameter of plug system	4 mm
Rated Values	30 V, 24 A / 60 V, 24 A
Surface treatment electrical contact	Au
Base material electrical contact	CuBe
Standard color(s) *	<b>21</b>
Plug spacing	19 mm
Test accessory acc. to	IEC EN 61010-031
User-Information	I 097
Approvals	CE