

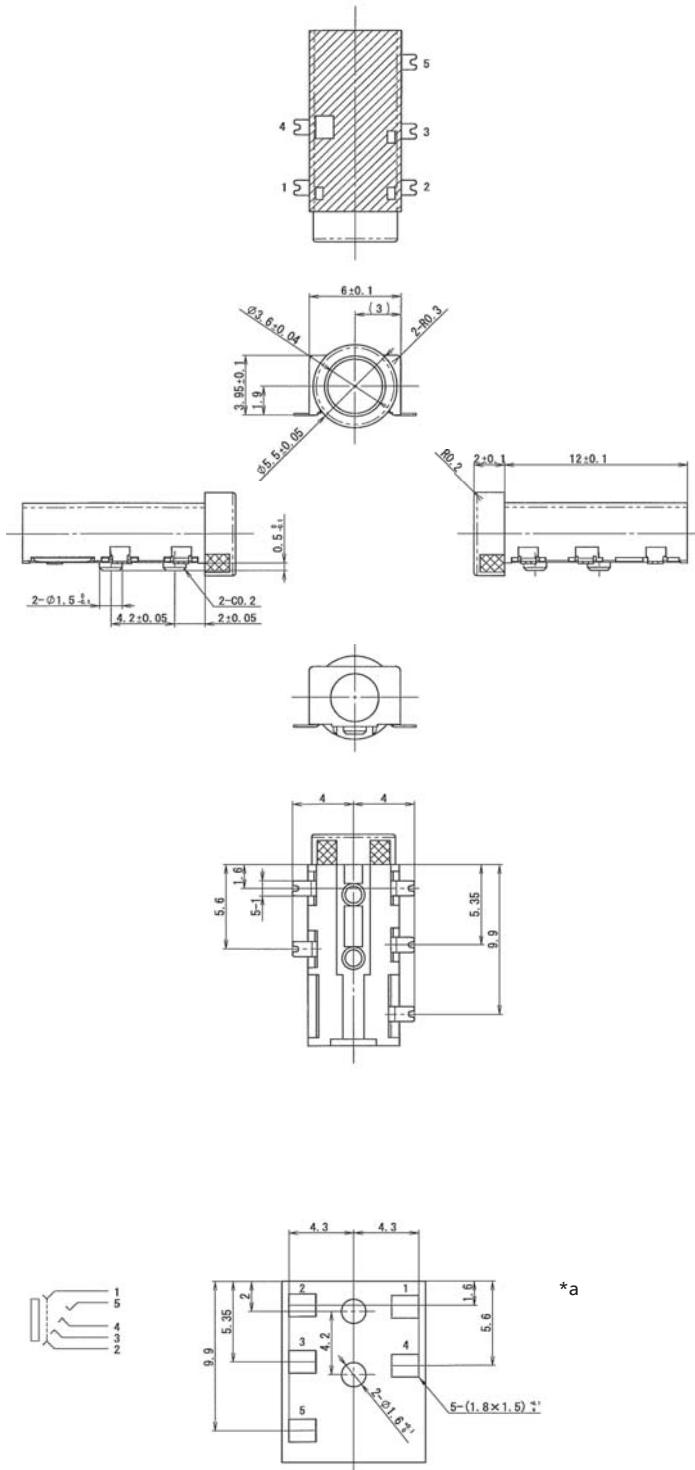
15

1503 15

Jack connectors



Jack chassis socket according to JEITA RC-5325A JC35J4A, 3.5 mm, 4 poles/stereo, angular version, for printed circuit boards, surface mount technology (SMT)



Environmental conditions

Temperature range -20 °C/+60 °C

Materials

Insulating body PA GF, V-0 according to UL94
Contact spring Cu alloy, selectively gold-plated

Mechanical data

Mating cycles 5000
Insertion force $\leq 30 \text{ N}^1$
Withdrawal force 5–25 N^1

¹ measured with a gauge plug

Electrical data (at $T_{\text{amb}} 20 \text{ °C}$)

Contact resistance $\leq 30 \text{ m}\Omega$
Rated current 1 A
Rated voltage 12 V DC
Rated impulse voltage 500 V/60 s
Insulation resistance $\geq 100 \text{ M}\Omega$

Associated products

Counterparts
☑ 1532 02

*a printed circuit board layout, components side view

15

1503 15

Designation	Pole Number	PU (Pieces)	MDQ (Pieces)
1503 15 VP3	4	900	900

Packaging:

on reel