

Product: [GDM21FB-V48-10D](#)

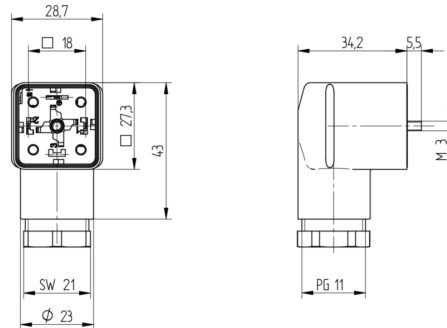
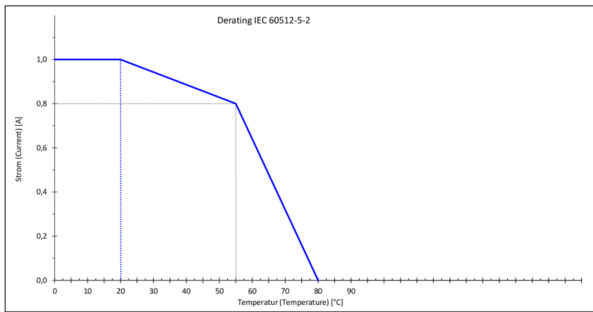


GDM Standard DIN Standard Field Attachable Connector: Form A, 3-pin (2+1PE; PE across cable outlet), transparent housing, screw type, PG11; with bridge rectifier, varistor and yellow LED, 48 V AC/DC, 1 A

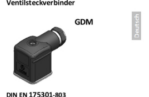
Product Description

GDM Standard DIN Standard Field Attachable Connector: Form A, 3-pin (2+1PE; PE across cable outlet), transparent housing, screw type, PG11; with bridge rectifier, varistor and yellow LED, 48 V AC/DC, 1 A

Technical Drawing



Montageanleitung
Ventilsteuerverbind



DIN EN 175305-803
PEL, IP 67
Kabeldurchmesser: 6,0 bis 8,0 mm / 8,0 bis 10,0 mm
Leitungsquerschnitt: AWG 20 – AWG 14

Achtung!
Nicht überlasten! Nicht über Last oder Spannung stecken / versetzen!

Bei Fehler des Kabels die Drahtschäfte auf Beschädigung und der Isolierungsschicht auf Beschädigung prüfen. Bei Beschädigung der Drahtschäfte oder der Isolierungsschicht die Drahtschäfte austauschen oder die Drahtschäfte neu isolieren. Bei Beschädigung der Isolierungsschicht die Drahtschäfte austauschen oder die Drahtschäfte neu isolieren. Bei Beschädigung der Drahtschäfte oder der Isolierungsschicht die Drahtschäfte austauschen oder die Drahtschäfte neu isolieren.

© Belden Deutschland GmbH 2013
Alle Rechte vorbehalten.

Technische Zeichnung

1. Leistungsübertragung / Kabeldurchmesser / Anzeigemittel

GDM200	30x1,5	0,8 – 8,0 mm	150 Nm
GDM200	7x9	0,5 – 8,0 mm	150 Nm
GDM200	M 2x0,3	0,2 – 0,2 mm	150 Nm
GDM200	PG 11	0,2 – 0,2 mm	150 Nm
GDM200	3x1,5	0,2 – 0,2 mm	150 Nm
GDM200	PG 11	0,2 – 0,2 mm	150 Nm

2. Schutzkategorie / Überspannung / Anzeigemittel / Farbe / Marke

AWG 20	40 Nm	50 / 300 V AC/DC	
AWG 18	40 Nm	50 / 300 V AC/DC	
AWG 16	40 Nm	50 / 300 V AC/DC	
AWG 14	40 Nm	50 / 300 V AC/DC	

3. Zentraleinheit / Anzeigemittel

M 5x1	0,8	10 Nm
M 5x1	0,8	10 Nm
M 5x1	0,8	10 Nm
M 5x1	0,8	10 Nm

4. Leitungsführung / Abmessung

5. C-Steck Kontakte für Leistungsübertragung: Gehäuse AWG 20

Typ (AWG)	Leitungsführung	Abmessung
20	AWG 20	10,0 mm
18	AWG 18	10,0 mm
16	AWG 16	10,0 mm
14	AWG 14	10,0 mm

Leitungsübertragung ohne Leiterplatte

Leitungsübertragung mit Leiterplatte

6. Gehäuse / Abmessung

SW	21
Ø	23

7. Gehäuse / Abmessung

SW	21
Ø	23

8. Gehäuse / Abmessung

SW	21
Ø	23

Leitungsübertragung ohne Leiterplatte

Leitungsübertragung mit Leiterplatte

9. Gehäuse / Abmessung

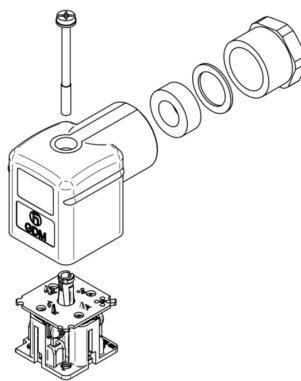
SW	21
Ø	23

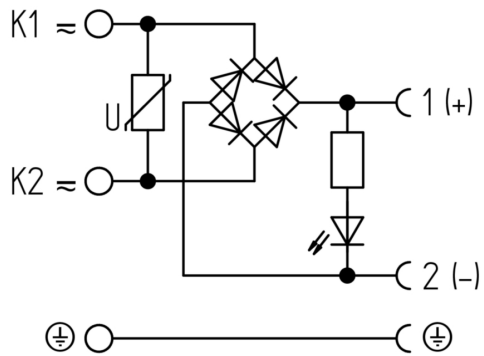
10. Gehäuse / Abmessung

SW	21
Ø	23

11. Gehäuse / Abmessung

SW	21
Ø	23





Technical Specifications

Technical Data

Product Family:	Valve Connectors
Product Sub Family:	GDM Standard
Brand:	Hirschmann
Connector Type:	Field attachable
Type of Contact / Gender:	Female
Connector Design:	Angled
Number of Pins:	2+PE (PE across cable outlet)
Coding:	A
Shielding:	Unshielded
Attachment Type:	Central Screw
Replacement for:	ID: 933925212 Name: GDML 2011 GB1 LED 48 schwarz (Yellow LED instead of Red LED)
Rated Impulse Voltage:	4.0 kV (PCBA 2.0 kV)
Operating Voltage:	48 V AC/DC
Rated Current*:	1 A
Contact Resistance:	≤ 10 mOhm
Insulation Resistance:	> 10 ⁹ Ohm
Mating Cycles:	≤ 50
Type of Connection:	Screw
Cable Gland:	PG11
Conductor Cross Section:	0.25 - 1.5 mm ²
Suitable Cables:	Ø 4.5 - 11 mm
Ambient Temperature (Operation)*:	-25°C to +80°C
Protection Degree / IP Rating**:	IP65
Design Standard:	DIN EN 175301-803-A, ISO 4400
Pollution Degree:	3 acc. to DIN EN 60664-1 (VDE 0110-1)
Clearance / Creepage Distance:	DIN EN 60664-1 (2008/01); VDE 0110-1
Overvoltage Category:	III acc. to DIN EN 60664-1 (VDE 0110-1)

Materials

Contact Base Material:	CuZn
Contact Plating:	Cu/Sn
Contact Bearer Material:	PA GF
Contact Bearer Color:	black
Flammability Class (Contact Bearer):	UL 94 HB
Housing Material:	PA GF
Housing Color:	Translucent
Flammability Class (Housing):	UL 94 HB
Cable Gland Material:	PA GF
Cable Gland Gasket:	NBR

Cable Gland Color:	Black
Attachment Material:	Steel, Philips combi slot
Gasket Material:	Sold separately

Protection Circuitry

Function Indicator:	Yellow LED
Bridge Rectifier:	yes
Protective Circuit:	Varistor

Additional Technical Data

Fastening Torque (Contact Screw):	M3: (25-30) Ncm
Fastening Torque (Cable Gland):	(150-200) Ncm
Fastening Torque (Attachment):	(50-60) Ncm

Approvals

VDE:	yes
SEV:	yes

Safety & Environmental Compliance

RoHS Compliant:	yes
-----------------	-----

Notes

Note Derating:	Notice derating
Protection Degree / IP Rating Note:	** only if mounted and locked in combination with Hirschmann / Lumberg Automation connector.
Note:	Do not connect or disconnect under load.

Variants

Item #	Item Description	Replacement For
934888147	GDM21FB-V48-10D	ID: 933925212 Name: GDML 2011 GB1 LED 48 schwarz (Yellow LED instead of Red LED)

© 2024 Belden, Inc

All Rights Reserved.

Although Belden makes every reasonable effort to ensure their accuracy at the time of this publication, information and specifications described here in are subject to error or omission and to change without notice, and the listing of such information and specifications does not ensure product availability.

Belden provides the information and specifications herein on an "ASIS" basis, with no representations or warranties, whether express, statutory or implied. In no event will Belden be liable for any damages (including consequential, indirect, incidental, special, punitive, or exemplary damages) whatsoever, even if Belden has been advised of the possibility of such damages, whether in an action under contract, negligence or any other theory, arising out of or in connection with the use, or inability to use, the information or specifications described herein.

All sales of Belden products are subject to Belden's standard terms and conditions of sale.

Belden believes this product to be in compliance with all applicable environmental programs as listed in the data sheet. The information provided is correct to the best of Belden's knowledge, information and belief at the date of its publication. This information is designed only as a general guide for the safe handling, storage, and any other operation of the product itself or the one that it becomes a part of. The Product Disclosure is not to be considered a warranty or quality specification. Regulatory information is for guidance purposes only. Product users are responsible for determining the applicability of legislation and regulations based on their individual usage of the product.